

CLR 1HBF C

CLARET Tap Range

Claret 1 Hole
Bath Filler Chrome



Specification

Product Type:	Bathroom Taps
Main Construction Material:	Brass
Mount Type:	Deck
Handle Type:	Triangular
Connection Inlet:	15mm Compression Flexible Tails
Connection Outlet:	M24 Coin Slot Aerator
Number of Tap Holes:	1
Valve/Cartridge Type:	35mm Single Lever Cartridge
Plumbing System Requirements:	Suitable for high pressure systems
Minimum Dynamic Pressure (bar):	1.5 bar
Maximum Dynamic Pressure (bar):	5 bar
Maximum Hot Water Temperature °C:	65°C
Maximum Static Pressure (bar):	10 bar
Flow Type:	Single
Isolation Included:	No

Features:

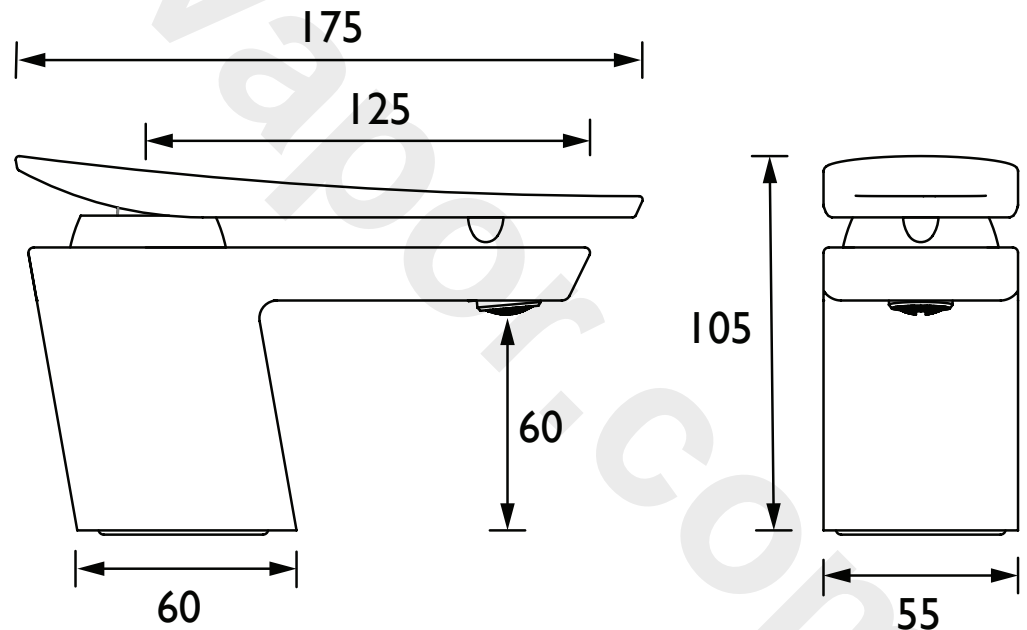
- Long life ceramic cartridge for added durability and ease of use
- Metal fixing nut for added durability
- Easy to use metal handle
- Minimum working pressure of 1.5 bar

Product Certifications:



WRAS Certificate No: 1706004
WRAS Expiry Date: 30/06/2022

Dimensions (measurements in mm)



For more products, visit our website:
<http://www.bristan.com>



Flow Rates (l/min)

System Pressure (bar)	1.5	2	3	4	5
CLR 1HBF C (mixed)	16.3	18.8	23	26.6	30.4

TECHNICAL
DATA
SHEET



BRISTAN

D5